



**“WORKING AT THE
CUTTING EDGE!”
“IT’S IN OUR DNA”**

2018 PUBLICATION



"WORKING AT THE CUTTING EDGE!" "IT'S IN OUR DNA"

For the ultimate effect in deburring and edge rounding, and the perfect result in surface treatment and precision grinding we always do that little bit extra.

Pushing the boundaries with regard to technology, innovative power and flexibility is in our nature. This is one of the reasons why we are known as the specialists in standard and custom-made work. Timesavers is the creative party that likes nothing better than to take a constructive approach and put forward technically well-thought out solutions and that gives results. This working method suits us: we want to offer our customers added value, that's what motivates us and keeps us ahead!

TIMESAVERS HAS BEEN SETTING THE STANDARDS FOR YEARS NOW

Timesavers is the largest producer of wide abrasive belt equipment in the world with sites in Minneapolis (USA) and Goes (the Netherlands). With more than 70 years of experience and a huge customer base worldwide, we recognise like no other the need for and strength of constant development and innovation. We provide a total package to our customers with our technical solutions, international production, extensive application knowledge and unmatched after-sales support. This is all brought about by a dedicated team with a sharp focus on quality and customer satisfaction.

YOUR PRODUCT DESERVES TOP QUALITY

You will have the solution in-house with Timesavers' wide abrasive belt equipment for the optimum processing of products made of steel, stainless steel, aluminium and Zincor coated (including plastic films or embossed surfaces). Are you looking for perfection in deburring, edge rounding, finishing or precision grinding with the highest attainable quality and with an unmatched finish? Choose Timesavers.

CREATIVITY AND TECHNOLOGY GO HAND-IN-HAND AT TIMESAVERS

We subscribe to the premise that different options are required for different applications and there is nobody who offers a broader range of machines than Timesavers. In addition, Timesavers also develops and produces machines for special applications up to complete turnkey project solutions with innumerable types of peripheral equipment. Timesavers thinks in terms of solutions and likes to meet your challenge with vigour and enthusiasm.

THE WORLD IS OUR PLAYING FIELD

More than 50,000 Timesavers' wide belt grinding machines have been sold worldwide of which a large number are still operational today. More than 100 factory-trained independent distributors are ready to give service worldwide. In addition, the organisation has a team of engineers who are stationed strategically and provide support. We will always know how to help you if required, regardless of where you may be in the world.





10
SERIES



11
SERIES



12
SERIES



22
SERIES



31
SERIES



32
RB SERIES



41
SERIES



42
RB SERIES



42
SERIES



62
SERIES



71
SERIES



72
SERIES



81
SERIES

Table of contents

		Deburring	Finishing	Edge rounding	Laser oxide removal	Precision grinding	Slag removal
10 series	page 6	o	o	o			
11/12 series	page 8	o	o				
22 series	page 10	o	o	o			
31 series	page 12	o	o				
32 RB series	page 14	o	o	o	o		
41 series	page 16	o	o	o		o	
42 series	page 18	o	o	o			o
42 RB series	page 20	o	o	o	o		o
62 series	page 24		o				
71/72 series	page 26		o				
81 series	page 28		o			o	

TIMESAVERS: THE BEST WHEN IT COMES TO METAL MACHINING EQUIPMENT

Timesavers offers solutions for deburring, edge rounding, finishing and precision grinding of Zintec, aluminium, copper, mild steel, stainless steel, titanium and alloy parts.

DEBURRING WITH A TIMESAVERS DEBURRING MACHINE

Deburring is the removal of irregularities on metals. They can mainly be found on the edges of the material and are often caused by machining work such as laser, water jet, punched or plasma cutting. Discover Timesavers' broad machine line for effective and efficient deburring.

GET THE BEST FINISH WITH TIMESAVERS

Machine finishing applies to, for example, stainless steel and aluminium in two versions: a hairline and a grain finish. Timesavers offers a wide range of quality finishers with abrasive belts and brushes.

ARE YOU LOOKING FOR THE MOST BEAUTIFUL AND BEST ROUNDING OF METAL?

A radius is created on the edge of the metal during edge rounding of metal products. This ensures that the sharpness of the edge is removed and it is given a uniform rounding. Timesavers offers perfection in edge rounding with a radius of up to two mm in a single pass.

PRECISION GRINDING WITH TIMESAVERS' INNOVATIVE GRINDING TECHNOLOGY

Surplus material such as the oxide layer is removed from metal products through surface grinding when you apply precision grinding. Timesavers is the expert in precision grinding where tolerances of up to 0.02 mm can be achieved.

SLAG REMOVAL

Slags occur when metal melts because of, for example, autogenous and plasma cutting. Slag removal deserves a special approach for which Timesavers offers the ultimate solutions.

REMOVAL OF LASER OXIDE SKIN WITH TIMESAVERS' RECENT INNOVATION

Laser oxide occurs on metal and stainless steel when laser cutting using oxygen, and it must be removed for subsequent coating processes. Timesavers has developed a perfect solution for the removal of laser oxide.



THE 10 SERIES MANUAL GRINDER

The 10 series is Timesavers' versatile starter model and the cost saving alternative for manual deburring, edge rounding and/or finishing of metal.

The manual grinder for perfect deburring, edge rounding and finishing of metal

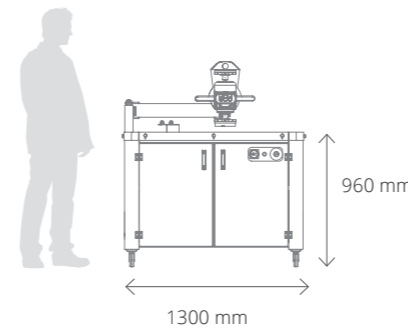
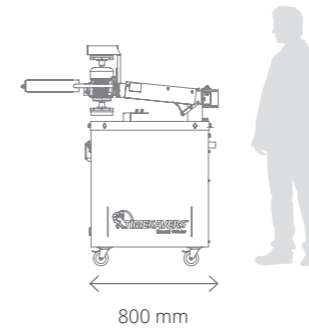
This ensures that an abrasive medium can be used for heavy-duty grinding on one side and, on the other side, for example, a brush for deburring, edge rounding and/or finishing. A mirror finish can also be created if required. Last but not least, the 180 degree rotating shaft makes rapid switching between different consumables easy.

The manual grinder is ergonomically responsibly designed for optimal operating conditions

The machine has a special mat with high friction surface to fix the parts during deburring and finishing. Smaller parts are kept fixed in their place through the integrated vacuum.

Link the operating ease of the manual grinder to an increased production capacity

Get information from Timesavers' experts. They will gladly provide good advice.

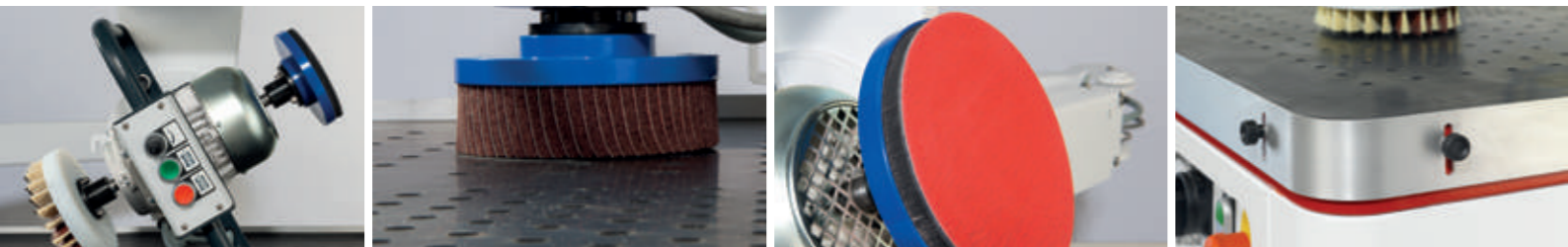


STANDARD VERSION:

- ✦ Movable arm in 2 positions with weight compensation.
- ✦ Grinding belt for the removal of rough burrs.
- ✦ High friction mat for small parts.
- ✦ The grinding dust is collected in a removable tray.
- ✦ Frequency-controlled drive.
- ✦ 1300 x 800 mm bench.
- ✦ Weight approx. 270 kg.
- ✦ 400 V connection with vacuum table.
- ✦ 1.5 kW main motor.
- ✦ Side panels that can be adjusted with regard to height for personal protection and machining large parts.
- ✦ CE certified.

APPLICATIONS AND BENEFITS:

- ✦ Long service-life flap brushes and therefore a reduction in material costs.
- ✦ 3 - 4 times faster than manual deburring.
- ✦ Uniform edge rounding/deburring.
- ✦ Affordable starting model.
- ✦ Optimum user friendliness.



Available configurations (mm):

MG 1300 x 880

Specifications:

Number of heads	1
Head types	disc / cup
Disc diameter	150 mm
Rotating grinding attachment	180°

Specifications:

Bench	1300 x 800 mm (960 mm working height)
Vacuum area	300 x 250 mm
Maximum thickness of a part	63.5 mm
Power supply	2.4 kW / 12.8 A / 400 V
Applications	deburring, finishing and edge rounding



11/12 SERIES FOR WET AND DRY DEBURRING AND FINISHING OF SMALL PARTS

Timesavers' deburring machines from the 11 and 12 series have been the standard in the metal industry for more than forty years. Thousands of these economically attractive deburring machines are being used worldwide for the deburring and finishing of small parts.



The 11 series machine is compact and requires a minimum of energy, and therefore the machine can be installed everywhere.

The 11 series operates wet and has an integrated product dryer and paper belt filter. The machine is easy to operate. After just a few minutes of training, a perfectly finished product can already be produced. The 11 series is delivered with a 225 mm wide conveyor belt.

The 12 series is available in 225 and 600 mm and is suitable for the deburring and finishing of small parts

This dry working deburring machine has an abrasive belt, disc or both and is suitable for deburring a large number of metals. If the machine is set up with a grinding belt and a rotating disc, the vertical burrs are removed by the grinding belt and the side burrs are removed by the disc. The disc also ensures product edge rounding at the same time.

Efficiency and ease of use

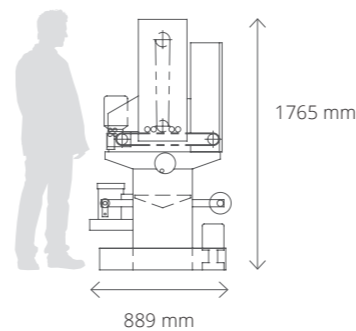
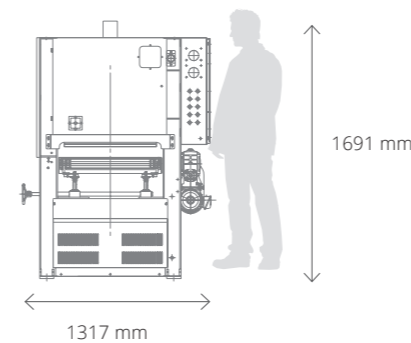
Management of all Timesavers machines is ergonomic and intuitive. The 11/12 series are perfect examples of this. Please feel free to ask for more information.

STANDARD VERSION:

- + Automatic table height adjustment: 1 - 75 mm.
- + Digital thickness reading in mm.
- + Throughput of 3 - 9 m/min frequency controlled.
- + CE certified.

APPLICATIONS AND BENEFITS:

- + Removal of vertical burrs from laser, die and water jet cut parts.
- + Flat parts and parts that can be placed flat.
- + Stainless steel, steel, aluminium, copper, etc.
- + Rough grinding of heavy-duty burrs and finishing in one pass on multi-attachment machines.
- + Option of edge breaking/fine grinding with brush or disc.
- + Optimum ease of use.



Available configurations (mm):

W	225	600
WW		600
WB		600
WRd	225	

Specifications:

Number of heads	1 - 2
Head types	roller, disc and brush
Machine width	225, 600 mm
Disc diameter	355 mm
Main drive motor	3.7 kW

Specifications:

Conveyance speed	3 - 9 m/min
Sanding belt length	1525 mm
Adjustable contact roller diameter	80 mm
Applications	deburring and finishing



THE 22 SERIES FOR DRY DEBURRING AND PERFECT FINISHING

The 22 series is suitable for the dry finishing and deburring of metal. This versatile machine is available in three nominal widths: 900 mm, 1050 mm and 1280 mm. In total, three attachments can be used with the machine for several applications.

Reduction of costs and increase of efficiency

By combining an abrasive belt and a brush, products can be deburred and rounded in one go. The machine is produced for deburring laser cut metal and edge rounding of sides and all of this while incurring very low costs.

New development: 22 series 900 mm Multi Disc (MD)

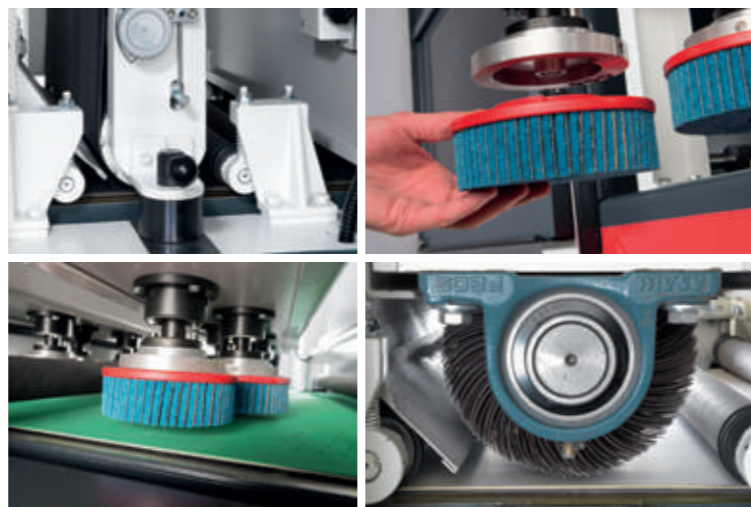
New in Timesavers' broad product range is the 22 series 900 mm Multi Disc (MD). A perfect end result is achieved in one fast operation and for very low operating costs with this new attachment. The machine works with a mechanism in which the deburring brushes rotate against each other. This produces a great and uniform finish. If required, a large or larger rounding of high quality can be achieved with the 22 series multi Disc.

Ask for more information from your Timesavers' expert.



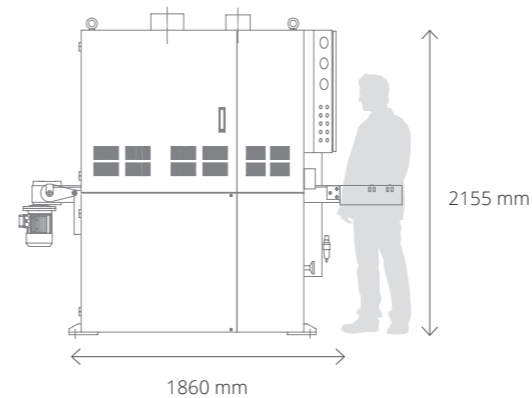
Available configurations (mm):

	W		900		1050		1280
	B		900		1050		
	WB		900		1050		1280
	WW		900		1050		1280
	BB		900		1050		
	WWB		900		1050		
	WWB-s		900		1050		
	WWW		900		1050		1280
	WBB		900		1050		1280
	WRd		900				
	WMDMD		900				
	WMD		900				



Specifications:

Number of heads	1 - 3
Head types	roller, brush, multi disc
Machine width	900, 1050, 1280 mm
Abrasive belt length	1900, 2620 mm



Specifications:

Table opening	125 mm
Throughput	2.5 - 14 m/min
Adjustable contact roller diameter	150, 200 mm
Applications	deburring, finishing and edge rounding

STANDARD VERSION:

- + Rigid table installed on 4 synchronous spindles.
- + Digital thickness set-up and reading in mm.
- + Frequency controlled transport motor, 2.5 - 14 m/min.
- + Automatic setting of the table height: 1 - 125 mm.
- + Electronic oscillation.
- + Dust extraction.
- + CE certified.

APPLICATIONS AND BENEFITS:

- + Removal of vertical burrs from punch, laser and water jet cut parts.
- + Stainless steel, steel, aluminium, copper, etc.
- + Deburring and surface finishing in one go using several heads.
- + Very low operating costs and a high production capacity.



THE 31 SERIES: GRINDER FOR WET DEBURRING AND FINISHING

The 31 series deburring machine is available in a width of 450 mm, 600 mm and 900 mm. The machine is suitable for deburring and finishing metal.



Three widths and innumerable possibilities

The 450 mm wide machine is available with no less than four machining heads, is equipped with a powerful sanding belt and is the ideal machine for grinding and finishing square pipes and sheet steel. The 900 mm machine can be produced with at most three wide belt and brush attachments.

The 31 series, a complete Timesavers' machine

The 31 series is a complete machine with an integrated coolant filter system to cool the metal products during machining. This ensures that the abrasive belt's service life is extended. The wet-working system uses filter paper to filter the coolant before it is recirculated. A high-pressure air-system dries the metal products while they are exiting the machine.

Optimum machining process in combination with ease of use

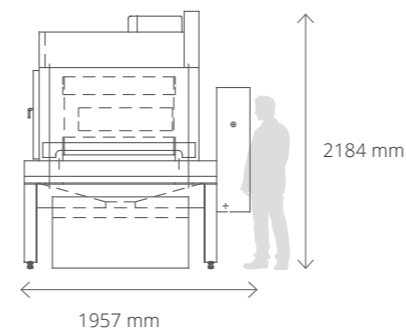
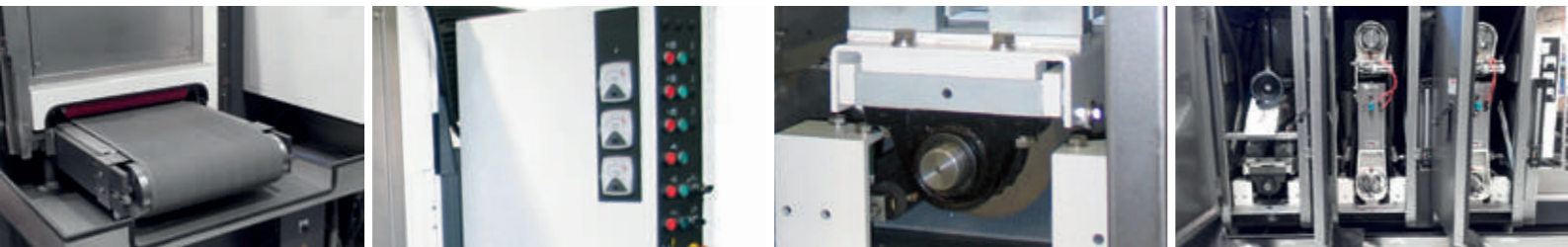
The 31 series is the ultimate machine for fast and efficient deburring and finishing. The machine can be easily operated thanks to a well-organised and clear control panel. The design and finishing level are reasons why the versatile 31 series is so popular. Ask our experts for more information.

STANDARD VERSION:

- ✦ Integrated coolant filter and recirculation pump.
- ✦ Feed-through component grip rollers.
- ✦ Automatic adjustable table height: 1 - 80 mm.
- ✦ Digital material thicknesses readout in mm.
- ✦ Conveyer speed from 4 to 12 m/min.
- ✦ Drying material through a high-pressure dryer.

APPLICATIONS AND BENEFITS:

- ✦ The removal of burrs on laser, water jet, punched and cut metal parts.
- ✦ Suitable for stainless steel, steel, aluminium, titanium etc.
- ✦ Can deburr and finish surfaces in one go.
- ✦ Edge breaking deburring of metal with an abrasive belt and brush.
- ✦ Optimum production process and ease of use.



Available configurations (mm):

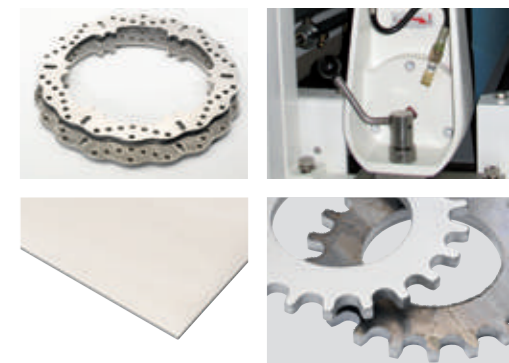
W	450	600	900
WW	450		900
WWW	450		
WWWW	450		
WB	450		900
WWB	450		900
WBB			900
WWWB	450		

Specifications:

Number of heads	1 - 4
Head types	roller, brush
Machine width	450, 600, 900 mm
Main drive motor	Up to 15 kW
Sanding belt length	1900, 1525 mm

Specifications:

Table opening	0 - 200 mm (450, 900 mm), 0 - 80 mm (600 mm)
Fixed table with constant through-feed height	980 mm
Throughput	2.5 - 14 m/min
Contact roller diameter	150 mm
Brush diameter	150 mm



THIS COMPACT DEBURRING AND FINISHING MACHINE OFFERS THE PERFECT PRICE-PERFORMANCE RATIO

The 32 series is the compact dry operating machine for deburring, edge rounding and/or finishing of different materials. The machine has the same look as the Red Dot Award 2016 winning design of the 42 series RB.

The 32 series has been developed based on the Red Dot Award winning 42 series and is equipped with Timesavers' much vaunted RB technology

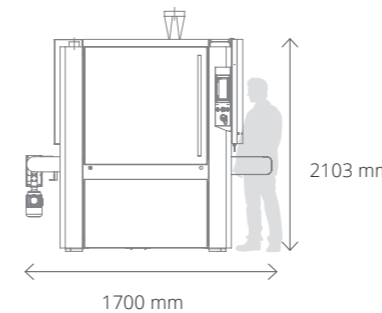
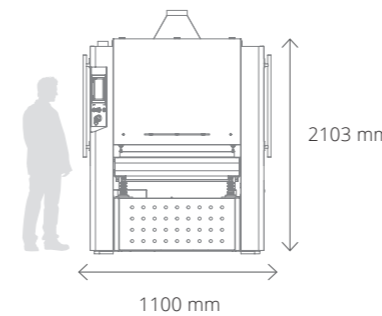
The machine forms the new standard in deburring, edge rounding and finishing technology for a broad range of materials. This compact machine can be supplied with the attachment that Timesavers has recently developed: the rotary brush.

Very small parts can be machined due to the use of a vacuum table

Much attention has been paid to the ease of use and user comfort with regard to this stylish and efficient deburring and finishing machine. The result is a machine that can be operated intuitively and easily. In addition, consumable use is low, the machine is energy efficient and the price-quality ratio is optimal. The machining process can be easily observed because of the angled control panel and the large window.

The ultimate deburring and finishing machine

Our innovative high-quality deburring and rounding technologies ensure that the latest deburring machine from the Timesavers 32 series is the perfect machine for the metal machining industry. Let one of our Timesavers experts advise you.



STANDARD VERSION:

- + Machine working width: 1100 mm.
- + Efficient ergonomic operation through a user friendly Siemens HMI (installed under a 45° angle for a clear view of the machining process).
- + Vacuum table for machining smaller products (50 x 50 mm).
- + The vacuum table has an integrated cleaning cycle.
- + LED beam on the infeed side that indicates the machine status.
- + Frequency-controlled motors for flexibility during the process.
- + Easy to replace brush units.
- + Various brush types are possible for multifunction use of materials.
- + Automatic adjustable table height: 0 - 100 mm.
- + Conveyor speed from 0.2 to 8 m/min.
- + CE certified.

APPLICATIONS AND BENEFITS:

- + Contact time with brushes: 600 mm.
- + The 4 brushes have a total of 15 m² of abrasive agent.
- + For the removal of burrs on laser, water jet, punched and cut products.
- + Material that can be machined: stainless steel, steel, aluminium, copper, etc.
- + The preliminary removal of large burrs and finishing of surfaces in one pass.
- + Breaking edges/finishing of metal with a brush.
- + Removal of the oxide skin with a special brush.
- + Low tooling costs and very low energy consumption.
- + Maximum user friendliness and optimal view of the machining process.



Available configurations (mm):

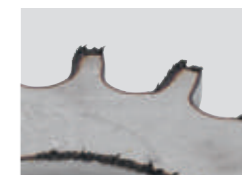
RB	1100
WRB	1100
WRBW	1100

Specifications:

Number of heads	1 - 3
Head types	roller, rotating brush
Machine width	1100 mm
Main drive motor	7,5 kW
Number of brushes	4 (quick to change brush system)

Specifications:

Table opening	0 - 100 mm
Throughput	0.2 - 8 m/min
Brush diameter	300 mm (300 mm length)
Adjustable contact roller diameter	150 mm
Applications	deburring, finishing, oxide skin removal and edge rounding



41 SERIES: WET GRINDER FOR 24/7 DEBURRING AND FINISHING

The Timesavers 41 series deburring machine has been designed to be operational 24/7. This makes the 41 series the ideal machine for deburring and finishing of metal products.



The 41 series has been developed for high volume production

This wet, high-quality grinder is available with one to four heads in combination with wide abrasive belts, disc and brush heads. This makes the machine extremely suitable for machining thin, oiled, greasy and/or highly inflammable metal parts and materials.

Timesavers offers the 41 series in three operating widths: 900 mm, 1100 mm or 1350 mm.

The 41 series can be accessed on all sides and is easy to clean.

This wet grinding and deburring machine can be perfectly and easily maintained. The entire machine can be pressure cleaned every day because of easy access from both sides of the machine.

Are you looking for a machine with consistent performance?

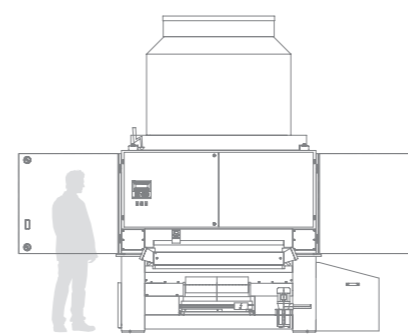
The 41 series is the equipment to use when you machine high volumes! Allow us to explain in detail about the flexibility of this machine and Timesavers.

STANDARD VERSION:

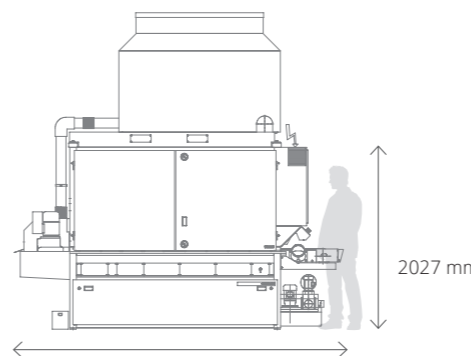
- ✚ Vacuum table for machining smaller products (80 x 80 mm).
- ✚ Frequency-controlled motors for flexibility during the process.
- ✚ Easy to replace brush belt and discs.
- ✚ Various brush types are possible for multifunction use of materials.
- ✚ Conveyor speed from 1 to 10 m/min.
- ✚ Paper belt filter and product dryer.
- ✚ CE certified.

APPLICATIONS AND BENEFITS:

- ✚ Machining greasy parts or products with die oil.
- ✚ Products are washed automatically and leave the machine dry and dust-free.
- ✚ Suitable for mixed material without having to change the abrasive media.
- ✚ The removal of burrs on laser, water jet, punched and cut products.
- ✚ Suitable material: stainless steel, steel, aluminium, copper, titanium, super alloys etc.
- ✚ The preliminary removal of large burrs and finishing of surfaces in one pass.
- ✚ Efficient and ergonomically operated through a user friendly HMI.



4464 mm



2027 mm

3668 mm



Available configurations (mm):

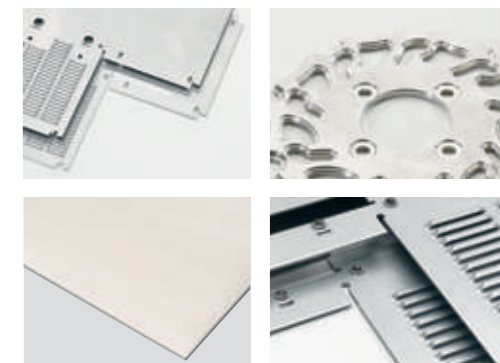
Rd	900		1350
WRd	900		1350
WRdW	900		1350
W	900		1350
WB	900		1350
WW	900		1350
WWB		1100	1350
WWBB		1100	1350

Specifications:

Number of heads	1 - 4
Head types	roller, brush, disc
Machine width	900, 1100 and 1350 mm
Main drive motor	up to 2.6 kW
Sanding belt length	1900, 2150 and 2620 mm

Specifications:

Table opening	1 - 80 mm (900) and 1 - 60 mm (1100/1350)
Throughput	1 - 10 m/min
Adjustable contact roller diameter	180 or 280 mm
Applications	finishing, deburring precision grinding



DISCOVER 'THE POSSIBILITIES' OF THE 42 SERIES FROM TIMESAVERS

The 42 series consists of a broad range of machines for flawless deburring, perfect edge rounding and finishing and ultimate precision grinding. The 42 series is Timesavers' most popular and versatile machine series.



The deburring machines in Timesavers' 42 series are available in several widths:

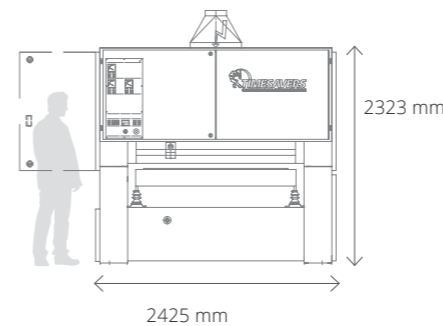
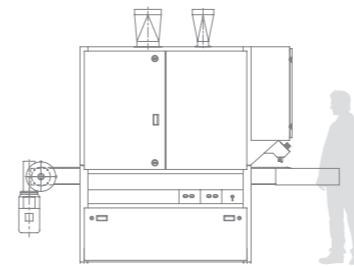
900 mm, 1100 mm, 1350 mm, 1600 mm and now even 2000 mm. The machines can be supplied with a maximum of four heads in various combinations of abrasive belt, disc and brushes. The machine can deburr, finish and edge round in one pass by integrating different heads. The machine is also suitable for radiussing sanded and/or laser cut parts or non burred parts.

Convenience

The 42 series deburring machines have been produced for constant use and are equipped with a lifting and lowering unit on the abrasive belt (diameters of 180 mm, 280 mm and 450 mm). This ensures that the flexibility of application can be changed easily.

The power of simplicity

This machine stands out because of its ease of use and an operator can immediately and effectively work with the machine after a short training course. Our experts will give you professional advice.

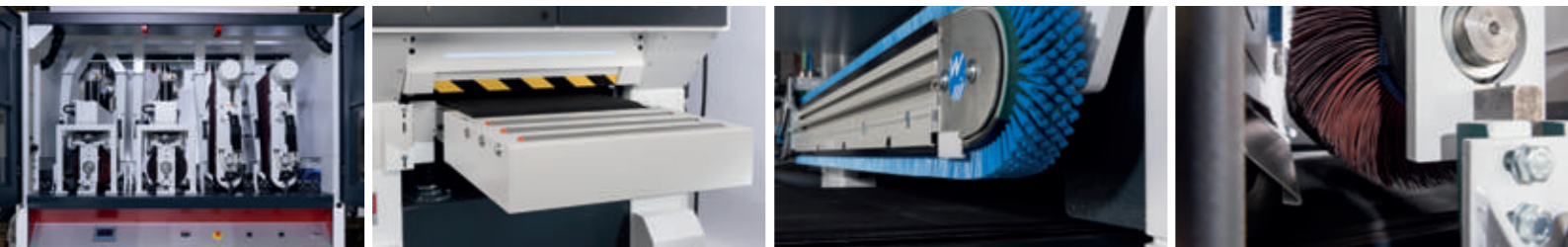


STANDARD VERSION:

- ✦ Centralised and user friendly control panel.
- ✦ Automatic table opening of 0 - 150 mm.
- ✦ Carrousel rotating brush heads equipped with 4 brushes rotating to the left and 4 to the right.
- ✦ Frequency-controlled conveyor belt with a speed ranging from 1 to 10 m/min.
- ✦ Window panels and lit interior for process observation.
- ✦ Brushes with an extremely long service life no less than 3000 hours.
- ✦ LED beams on the infeed and outfeed that show the machine status.
- ✦ Available with 1 or 2 abrasive belt contact roller heads.
- ✦ Vacuum table with access for internal cleaning.
- ✦ Quick exchange system for brushes and abrasive belts.
- ✦ CE certified.

APPLICATIONS AND BENEFITS:

- ✦ The removal of burrs on laser, plasma or water jet, punched, cut parts, machined and routed parts.
- ✦ Stainless steel, steel, copper, aluminium, copper, etc.
- ✦ Deburring of Zintec, galvanised and plated material, aluzinc, alclad, incl. ink-marked parts.
- ✦ Uniform and controllable side radius for, for example, the aerospace, catering and medical industries.
- ✦ Long service life consumables and efficient production possibilities and capacities.



Available configurations (mm):

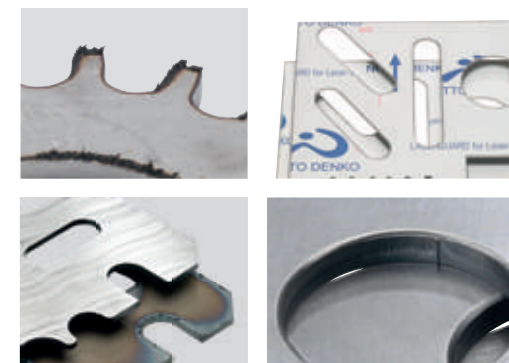
W			900		1100		1350
WW			900		1100		1350
WB			900		1100		1350
WWB					1100		1350
WWBB					1100		1350
Rd	600		900				1350
WRd	600		900				1350
WRdW	600		900				1350

Specifications:

Number of heads	1 - 4
Head types	roller, brush, disc
Machine width	600, 900, 1100 and 1350 mm
Main drive motor	11 kW, 15 kW, 18.5 kW
Sanding belt length	1900 mm

Specifications:

Table opening	0 - 150 mm
Throughput	1 - 10 m/min
Brush diameter	280 mm
Adjustable contact roller diameter	180, 280 mm
Applications	finishing, deburring and edge rounding



42 RB SERIES FOR DEBURRING, FINISHING, EDGE ROUNDING AND LASER OXIDE REMOVAL

Discover the ultimate machine for perfect deburring, edge rounding and finishing of your product(s). Read everything about Timesavers' 42 Rotating Brush (RB) series below. This is the most popular and award winning Timesavers machine.



2MM RADIUS

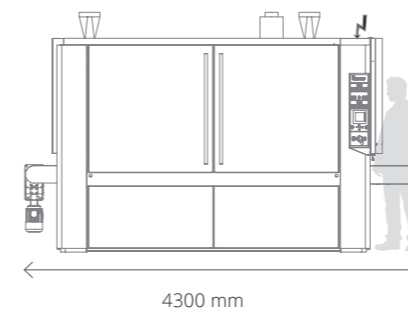
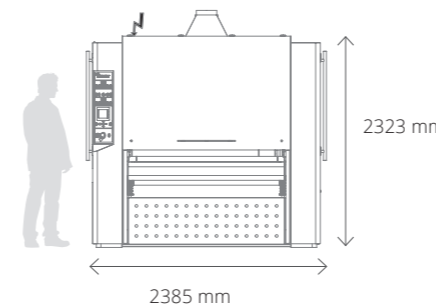
This machine has been developed for people who want only the best

You will be choosing for perfect deburring and you will achieve a 'high-end' finish with the 42 RB series. The 42 RB 1350 mm series offers the solution for manufacturers who supply premium quality products. This top quality is achieved through a multi-rotating brush machine with eight brushes that deburr uniformly and round the edges of the metal perfectly. This ensures you can create a rounding radius of up to no less than 2 mm.

The Timesavers Rotating Brush Machine

This deburring machine can also be provided with one or more abrasive belt heads and therefore it will perfectly remove very large burrs and/or it will guarantee the perfect finish. The machine is suitable for machining plasma cut, 3D and machined parts because the 42 RB 1350 series has frequency-controlled rotating brushes. In addition, small parts (from 30 mm) up to large parts up to 1600 mm can be machined. The materials that can be machined include stainless steel, aluminium, zinc, zinc and laser film products.

Do you want to know more about the Timesavers Rotating Brush Machine and its performance? Contact Timesavers' experts for professional advice.



STANDARD VERSION:

- + Centrally installed and user friendly control panel.
- + Automatic table opening of 0 - 100 mm.
- + Carrousel rotating brush head equipped with 4 brushes rotating to the left and 4 to the right.
- + Frequency-controlled conveyor belt with a speed ranging from 0.2 to 8 m/min.
- + Window panels and lit interior for process observation.
- + Brushes with an extremely long service life no less than 3000 hours.
- + LED beams on the infeed and outfeed that show the machine status.
- + Available with 1, 2, 3 or 4 heads.
- + Vacuum table with automatic cleaning cycle.
- + Quick replace system for brushes and abrasive belts.
- + CE certified.

APPLICATIONS AND BENEFITS:

- + Contact time with brushes: 1600 mm.
- + The 8 brushes have a total of 46 m² of abrasive medium.
- + The removal of burrs due to laser, plasma, water jet cut and embossed parts in one go.
- + Flat, formed and 3D parts with pockets/protrusions.
- + Preliminary removal of large burrs and finishing of surfaces.
- + Stainless steel, mild steel, aluminium, copper, etc.
- + Machining of mixed materials with suitable wet extraction.
- + Deburring Zintec, galvanised and plated material.
- + Treating small parts (50 x 50 mm) is possible with the standard vacuum table.
 - Materials: aluzinc, light metal and plastic without damage including ink-marked parts.
- + The multiple machining options are combined with ease of use and efficiency.



Available configurations (mm):

RB	1350	1600
WRB	1350	1600
RBW	1350	1600
WRBW	1350	1600
WWRB	1350	
WWRBW	1350	

Specifications:

Number of heads	1 - 4
Head types	rotating brush, roller
Machine width	1350, 1600 mm
Main drive motor	23 - 40 kW/52 A
Number of brushes	8 (quick to change brush system)

Specifications:

Table opening	0 - 100 mm
Throughput	0.2 - 8 m/min
Brush diameter	350 mm (500 mm length)
Adjustable contact roller diameter	180, 280 and 450 mm
Applications	finishing, deburring, laser oxide removal and edge rounding



ALL OPTIONS OF THE 42 RB SERIES LISTED CONVENIENTLY FOR YOU

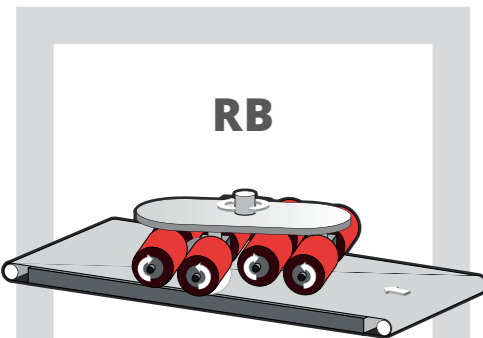
These pages provide insight into the possibilities of the 42 RB series. Timesavers has listed all heads including the application possibilities for you.



2MM RADIUS

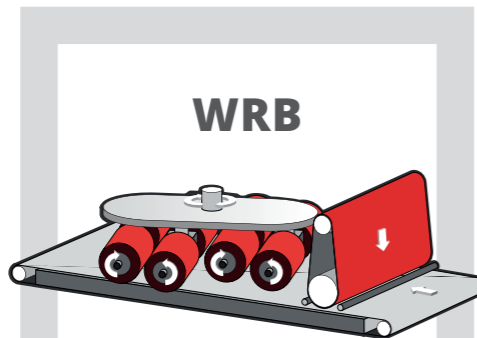
Regardless of what your requirements or preferences may be: Timesavers has the solution
 Timesavers serves customers in many industries and sectors and strives to achieve the greatest flexibility in several areas: Timesavers' customers can count on quality, service and an innovative and problem-solving capacity. Therefore, always contact Timesavers if you want to exchange ideas and discuss your requirements with regard to perfect deburring, edge rounding and finishing. Our professional experts will help you further.

- + Perfect edge rounding (radius of up to 2 mm).
- + Low tooling costs.
- + Different thicknesses can be machined simultaneously.
- + Suitable for different materials such as stainless steel, aluminium, Zintec, etc.
- + Suitable for deburring small (30 mm) and large parts.
- + Can be integrated in an (existing) production process.



RB

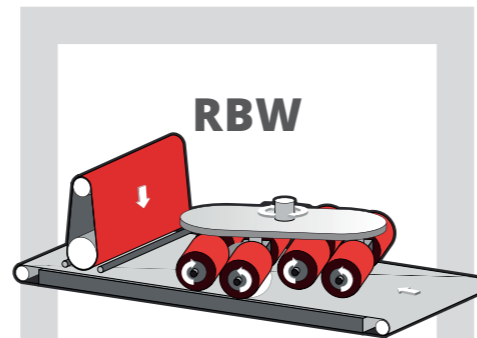
- + Deburring
- + Edge rounding
- + Oxide skin removal



WRB

- + Deburring
- + Edge rounding
- + Oxide skin removal

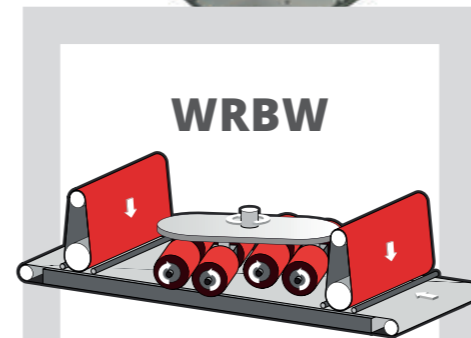
EXTRA HEAD FOR:
 + Rough grinding/finishing



RBW

- + Deburring
- + Edge rounding
- + Oxide skin removal

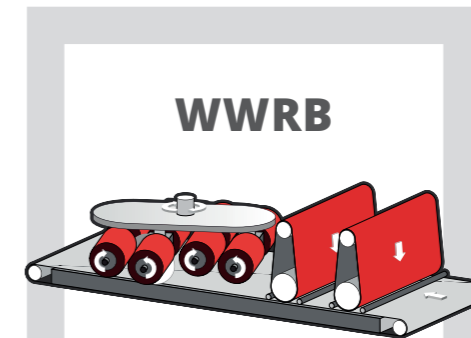
EXTRA HEAD FOR:
 + Finishing



WRBW

- + Deburring
- + Edge rounding
- + Finishing
- + Oxide skin removal

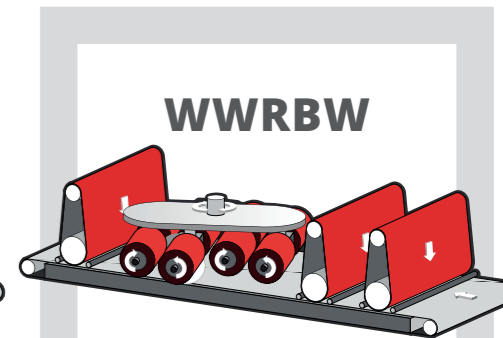
EXTRA HEAD FOR:
 + Rough grinding
 + Finishing



WWRB

- + Deburring
- + Edge rounding
- + Finishing
- + Oxide skin removal

EXTRA HEAD FOR:
 + Rough grinding
 + Slag removal



WWRBW

- + Deburring
- + Edge rounding
- + Finishing
- + Oxide skin removal

EXTRA HEAD FOR:
 + Rough grinding
 + Slag removal
 + Finishing

DISCOVER THE 62 SERIES WITH THE COMPLETE STAINLESS STEEL SHEET GRINDING LINE

The 62 series offers a full solution for grinding and brushing stainless steel sheets. Two different working widths are available: 1350 mm and 1600 mm wide.



Perfect finishing including thin sheet material (0,4 mm)

The stainless steel grinder can be fitted with one or more heads and therefore you can achieve no. 3, no. 4 and duplo finish in addition to standard stainless steel grinding. A duplo finish can be achieved through a combination of grinding and a Scotch-Brite brush that will produce an additional fine surface. Very thin sheets (down to 0.4 mm) can be ground and finished because of the special construction of the roller table.

In addition to the standard machine, we also offer turnkey solutions

We can also supply the ancillary equipment. Timesavers organises, installs, instructs and provides a perfect working machine-line. Examples include:

- + Roller conveyor and tables.
- + Automatic stacking/desstacking units.
- + PVC-coating machines.
- + Dust extractors for dry grinding machines.

Do you want to know more about this Timesavers machine and our service?

Contact Timesavers' experts for professional advice.

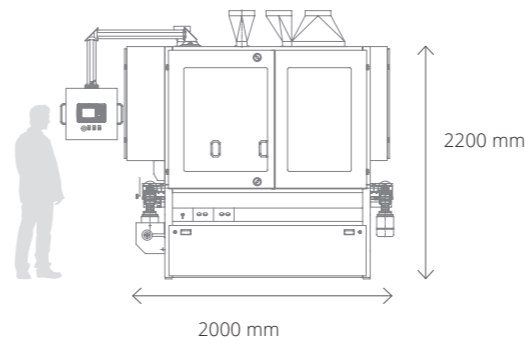
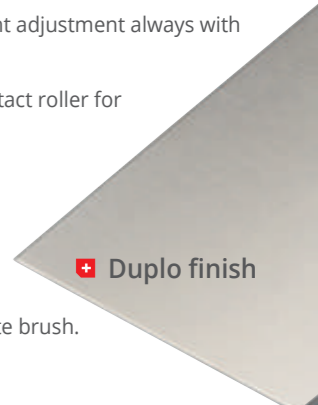


STANDARD VERSION:

- + Centrally programmable HMI Siemens control panel.
- + Wide belt grinding heads with a fine adjustment of the contact rollers (diameter of 180 mm or 280 mm). With frequency-controlled main motors for all possible finishes.
- + Scotch-Brite brush heads with fast oscillation of up to 700 strokes per minute: frequency controlled. main motor, brush outer diameter of 350 mm, motorised height adjustment always with rapid replace brush system
- + Roller table construction with hardened steel counter-roller under the contact roller for finishing thin sheets as from 0.4 mm.

APPLICATIONS AND BENEFITS:

- + No. 3 or no. 4 finish with abrasive belt gip 120, 180 to even 240 and 320.
- + Brush/Microlon finish with Scotch-Brite brushes or with Scotch-Brite belts.
- + Duplo finish, a combination of a finishing or grinding belt and a Scotch-Brite brush.
- + Hairline finish, a finish often favored in the Far East.



Available configurations (mm):

WWB	1350	1600
WW	1350	1600
WB	1350	1600
BB	1350	1600

Specifications:

Number of heads	1 - 3
Head types	roller, brush and hairline
Machine width	1350, 1600 mm
Brush attachment size	350 mm
Number of brushes	1 - 3

Specifications:

Table opening	0 - 50 mm
Throughput	4 - 20 m/min
Brush diameter	350 mm
Adjustable contact roller diameter	180 or 280 mm
Applications	grinding and finishing of stainless steel sheets



THE 71/72 SERIES: A COMPLETE 'COIL-TO-COIL' LINE: WET OR DRY

In addition to top grinders, bottom grinders can be integrated in the production line. Finishing of hot rolled sheets is also possible with this machine.

We offer our 71/72 series for finishing of sheet material rolls

The machine has a production speed of up to 30 m/min and delivers a perfectly finished end result. The 71/72 series has been developed to perform and the easy to operate machines work as they should: day-in, day-out, year-in and year-out.

Timesavers provides advice, delivers, installs and offers backups

If required, we can deliver turnkey project that can include, for example, an alignment machine, the coiler, coiler, a PVC-coating machine, roller tables and/or stacker. With experienced support from the design phase up to and including delivery. Examples include:

- + Roller conveyors and tables.
- + Automatic stacking/desstacking units.
- + PVC-coating machine.
- + Dust extractors for dry grinding machines.
- + Water filter units for wet grinders.

Do you want to know more? Contact the Timesavers experts.

STANDARD VERSION:

- + Centrally programmable HMI Siemens control panel.
- + Wide belt grinding attachments with a fine adjustment of the contact rollers (diameter of 180 mm or 280 mm). With frequency-controlled main motors for all possible finishes.
- + Scotch-Brite brush attachments with fast oscillation of up to 700 strokes per minute: frequency controlled. main motor, brush outer diameter of 350 mm, motorised height adjustment always with quick replace brush system
- + Roller table construction with hardened steel counter-roller under the contact roller for finishing thin sheets as from 0.5 mm.
- + 71 series wet and 72 series dry.

APPLICATIONS AND BENEFITS:

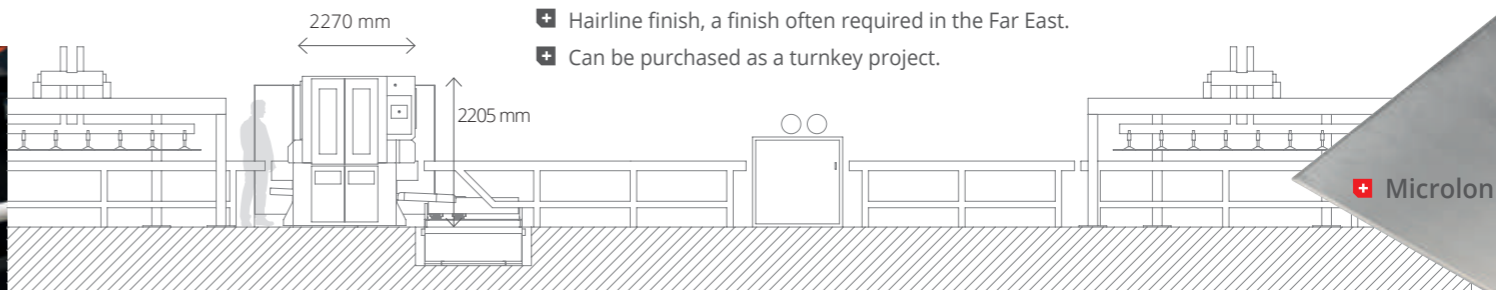
- + 'Coil-to-coil'.
- + Sheet after sheet both hot and cold rolled.
- + No. 3 or no. 4 finish wet or dry with abrasive belt grip 120, 180 to even 240 and 320.
- + Brush/Microlon finish with Scotch-Brite brushes or even with Scotch-Brite belts.
- + Duplo finish, a combination of a finishing with first a grinding belt and then a Scotch-Brite brush.
- + Hairline finish, a finish often required in the Far East.
- + Can be purchased as a turnkey project.

+ Hairline finish

+ Duplo finish

+ Microlon finish

+ Nr. 4 finish



Available configurations (mm):

WW	1350	1600	2100
WB	1350	1600	2100
BB	1350	1600	2100

Specifications:

Number of heads	1 - 2
Head types	roller, brush and hairline
Machine width	1350, 1600 and 2100 mm
Brush attachment size	350 mm
Number of brushes	1 - 2

Specifications:

Table opening	0 - 50 mm
Throughput	0 - 30 m/min
Brush diameter	350 mm
Adjustable contact roller diameter	180 or 280 mm
Applications	grinding and finishing of stainless steel sheets or coils

THE 81 SERIES: THE INNOVATIVE SOLUTION FOR PRECISION GRINDING

The dutch build 81 series machine is Timesavers' innovative solution for precision metal grinding. A bed that moves to and fro is used with a high power grinding motor.



Precision grinding up to 0.02 mm? No problems with the Timesavers 81 series

This machine uses wide grinding belts with a high tolerance level and is used for the precision grinding of titanium, molybdenum, stainless steel, aluminium/nickel alloys, carbon steel and more. The machine grinds these metals with a precision of no less than 0.02 mm.

The Timesavers precision grinding machine: totally tailor made

Every variant from the 81 series is produced especially based on customer requirements. Precision grinding is performed by a wide belt that grinds the thickness of a part to achieve a fixed thickness. The Timesavers 81 series has a conveyor belt, a roller table or a reciprocating that coupled with a high grinding power per centimetre that makes this precision grinding possible.

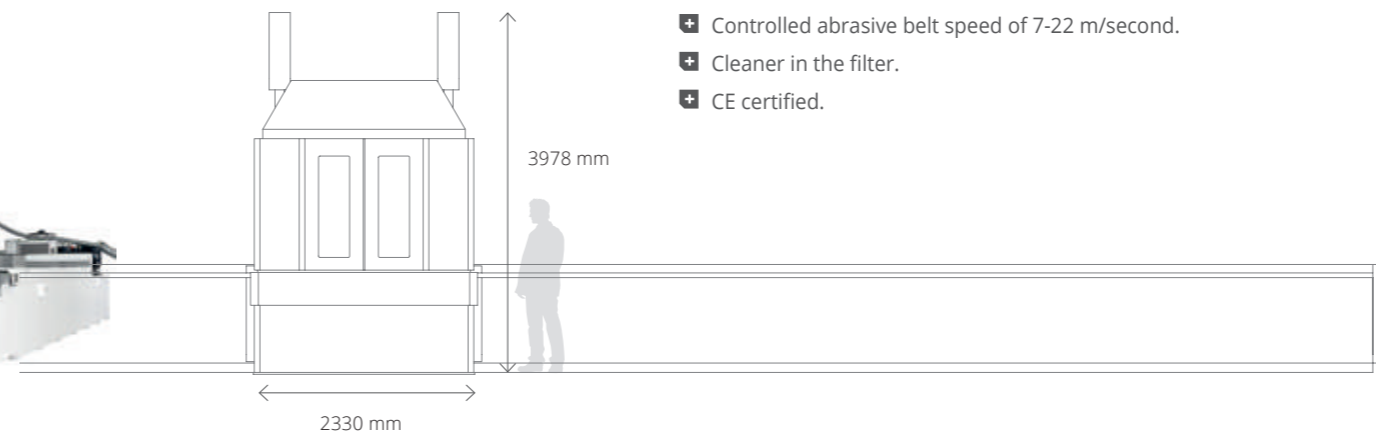
Timesavers offers know-how and a far-reaching service

We also, for example, offer turnkey solutions where the handling of all ancillary equipment is organised and installed for you. Examples include:

- + Roller conveyor and tables.
- + Water filter units for wet grinders.
- + Automatic stacking and de-stacking units.
- + Reversing unit.

APPLICATIONS:

- + Precision grinding of titanium, molybdenum, stainless steel, nickel alloys, aluminium and carbon steel.
- + Grinds material to a thickness pre-programmed.
- + Removes no less than 0.2 mm per cycle.
- + Accuracy of +/- 0.02 mm.
- + Suitable for material from 0.15 mm to 40 mm thick.
- + Centrally programmable control panel.
- + HMI with pre-programmable settings.
- + Belt with the option of clockwise or anti clockwise rotation.
- + Wet model with integrated spray to separate dirt and fine dust.
- + Integrated vacuum system with measurable safety system.
- + One or more vacuum segments that can be operated individually.
- + Quick replace system for the abrasive belt.
- + Motorised table with a 0-100 mm opening.
- + Controlled abrasive belt speed of 7-22 m/second.
- + Cleaner in the filter.
- + CE certified.



Available configurations (mm):

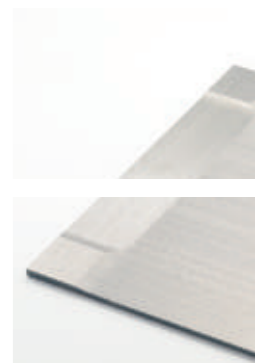
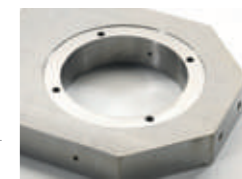
W	600	1000	1600	2100	2600
WW	600	1000	1600	2100	2600
WB	600	1000	1600	2100	2600
BB	600	1000	1600	2100	2600

Specifications:

Number of heads	1 - 2
Head types	roller, brush
Machine width	600, 1000, 1600, 2100 and 2600 mm
Brush attachment size	400 mm
Number of rollers	1 - 2

Specifications:

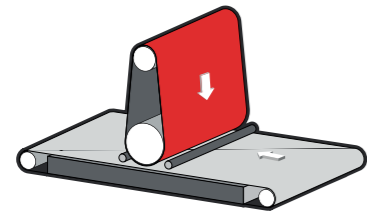
Table opening	0 - 100 mm
Throughput	1 - 10 m/min
Applications	precision grinding



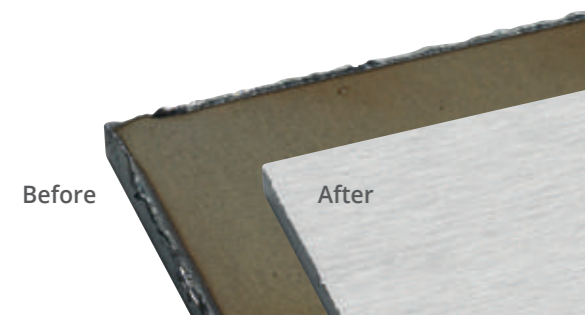
MAIN OPTIONS ARE LISTED CONVENIENTLY FOR YOU

These pages provide insight into the possibilities of the 12, 22, 32 and 42 series.
Timesavers has listed all attachments including the application possibilities for you.

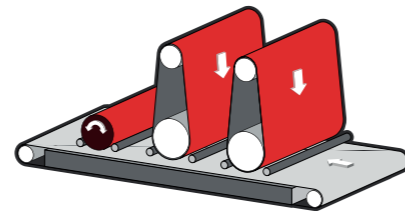
W



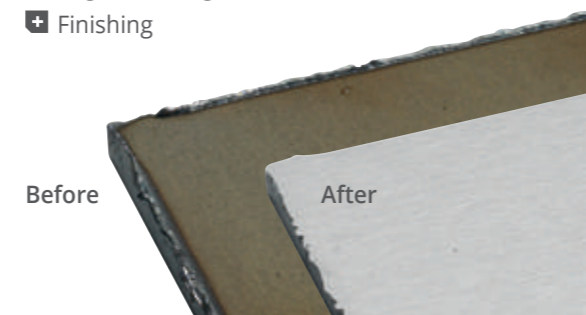
- + Rough grinding
- + Deburring



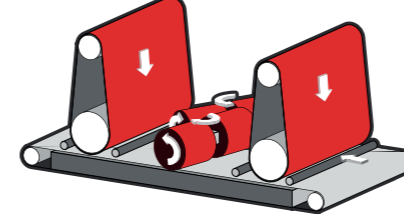
WWB



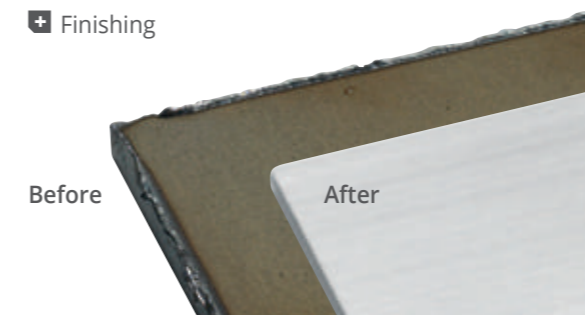
- + Rough grinding
- + Deburring
- + Edge rounding
- + Finishing



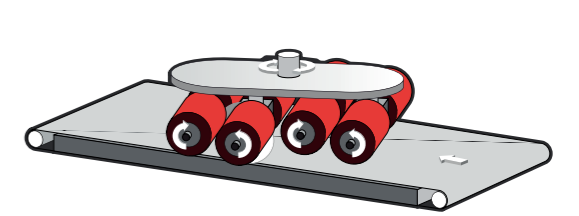
WRBW



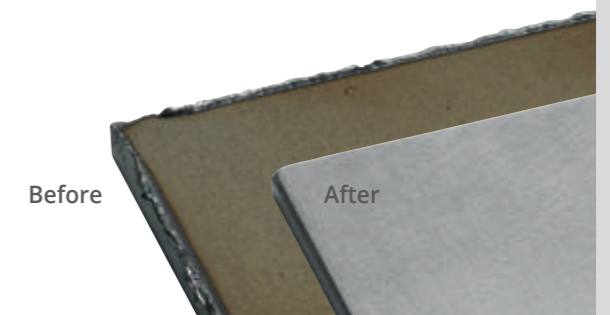
- + Deburring
- + Edge rounding
- + Oxide skin removal
- + Finishing



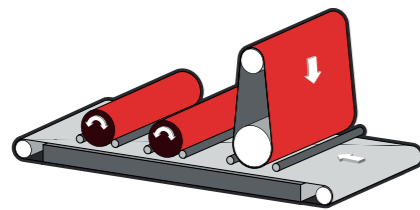
RB



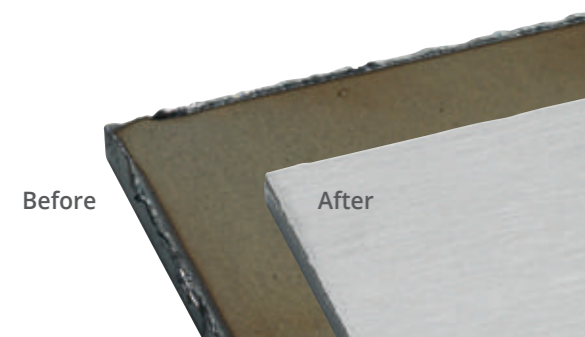
- + Deburring
- + Edge rounding
- + Oxide skin removal



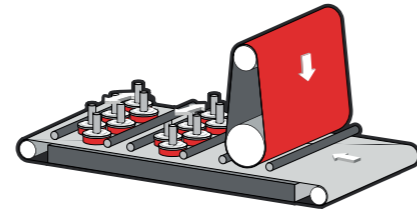
WBB



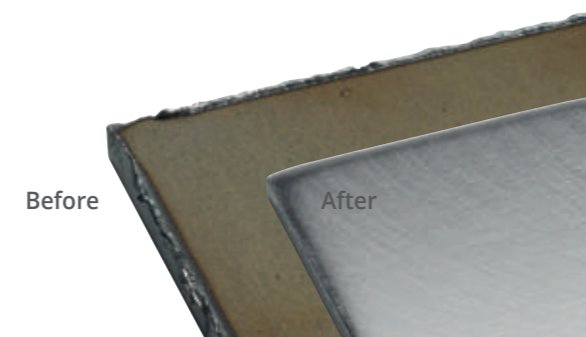
- + Rough grinding
- + Deburring
- + Edge rounding
- + Finishing



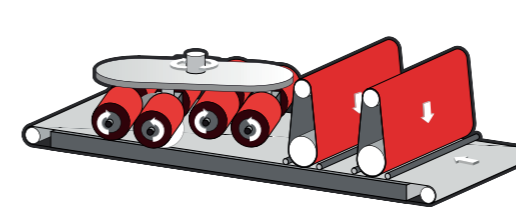
WMDMD



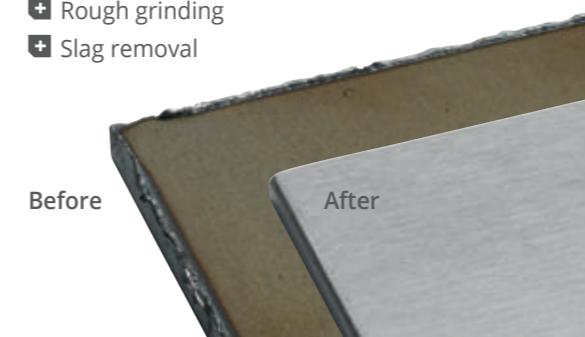
- + Rough grinding
- + Deburring
- + Edge rounding
- + Finishing



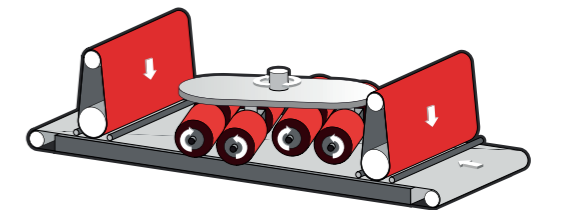
WWRB



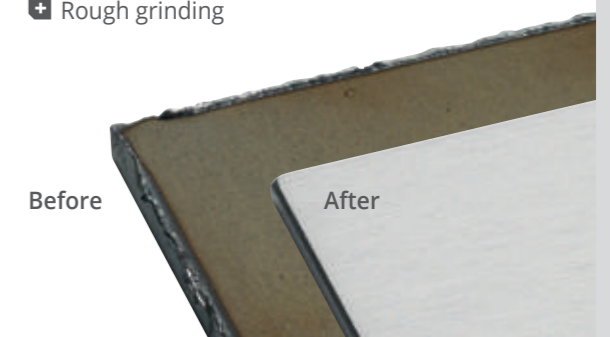
- + Deburring
- + Edge rounding
- + Finishing
- + Oxide skin removal
- + Rough grinding
- + Slag removal



WRBW



- + Deburring
- + Edge rounding
- + Finishing
- + Oxide skin removal
- + Rough grinding





**TIMESAVERS
INTERNATIONAL BV**

Fruitlaan 20-30, 4462 EP Goes
The Netherlands
T +31 113 23 89 00
F +31 113 23 20 03
info@timesaversint.com
www.timesaversint.com

TIMESAVERS INC

11123 89th Ave North
Maple Grove, Minnesota USA
T +763 488 6600
F +763 488 6601
info@timesaversinc.com
www.timesaverinc.com

